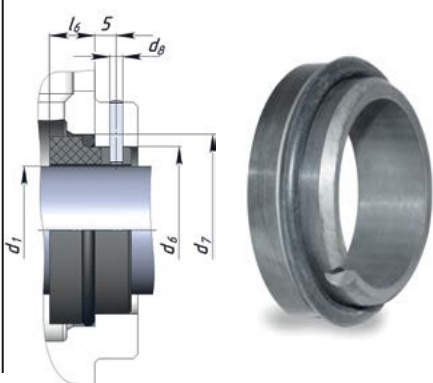
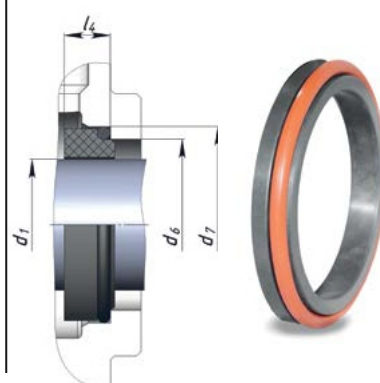


# НЕПОДВИЖНЫЕ КОЛЬЦА

НЕПОДВИЖНОЕ КОЛЬЦО  
ТИП С03



НЕПОДВИЖНОЕ КОЛЬЦО  
ТИП С04



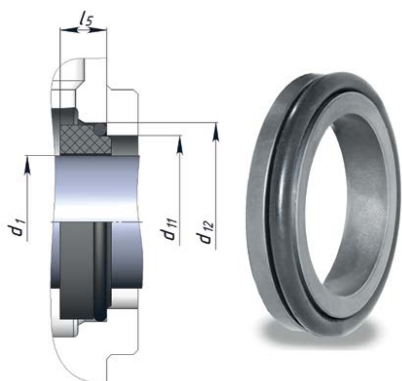
НЕПОДВИЖНОЕ КОЛЬЦО  
ТИП С06



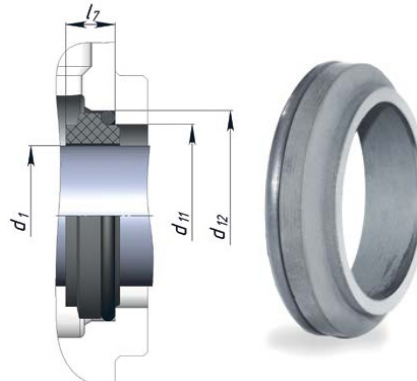
d1, мм	d6, мм	d7, мм	d8, мм	l4, мм	l6, мм
10.0	17.0	21.0	3.0	6.6	10.0
12.0	19.0	23.0	3.0	6.6	10.0
14.0	21.0	25.0	3.0	6.6	10.0
16.0	23.0	27.0	3.0	6.6	10.0
18.0	27.0	33.0	3.0	7.5	10.0
20.0	29.0	35.0	3.0	7.5	10.7
22.0	31.0	37.0	3.0	7.5	10.7
24.0	33.0	39.0	3.0	7.5	10.7
25.0	34.0	40.0	3.0	7.5	10.7
28.0	37.0	43.0	3.0	7.5	12.2
30.0	39.0	45.0	3.0	7.5	12.2
32.0	42.0	48.0	3.0	7.5	12.2
33.0	42.0	48.0	3.0	7.5	12.2
35.0	44.0	50.0	3.0	7.5	12.2
38.0	49.0	56.0	4.0	9.0	13.0
40.0	51.0	58.0	4.0	9.0	14.0
43.0	54.0	61.0	4.0	9.0	14.0
45.0	56.0	63.0	4.0	9.0	14.0
48.0	59.0	66.0	4.0	9.0	14.0
50.0	62.0	70.0	4.0	9.5	14.0
53.0	65.0	73.0	4.0	11.0	14.0
55.0	67.0	75.0	4.0	11.0	14.0
58.0	70.0	78.0	4.0	11.0	14.0
60.0	72.0	80.0	4.0	11.0	14.0
63.0	75.0	83.0	4.0	11.0	14.0
65.0	77.0	85.0	4.0	11.0	14.0
68.0	81.0	90.0	4.0	11.3	16.4
70.0	83.0	92.0	4.0	11.3	16.4
75.0	88.0	97.0	4.0	11.3	16.4
80.0	95.0	105.0	4.0	12.0	16.1
85.0	100.0	110.0	4.0	14.0	16.1
90.0	105.0	115.0	4.0	14.0	18.1
95.0	110.0	120.0	4.0	14.0	18.1
100.0	115.0	125.0	4.0	14.0	18.1

# НЕПОДВИЖНЫЕ КОЛЬЦА

НЕПОДВИЖНОЕ КОЛЬЦО  
ТИП С01



НЕПОДВИЖНОЕ КОЛЬЦО  
ТИП С24



d1, мм	d11, мм	d12, мм	l5, мм	l7, мм
10.0	15.5	19.2	6.6	6.6
12.0	17.5	21.6	5.6	5.6
14.0	20.5	24.6	5.6	5.6
16.0	22.0	28.0	7.5	7.5
18.0	24.0	30.0	8.0	8.0
20.0	29.5	35.0	7.5	7.5
22.0	29.5	35.0	7.5	7.5
24.0	32.0	38.0	7.5	7.5
25.0	32.0	38.0	7.5	7.5
28.0	36.0	42.0	9.0	9.0
30.0	39.2	45.0	10.5	10.5
32.0	42.2	48.0	10.5	10.5
33.0	44.2	50.0	11.0	10.5
35.0	46.2	52.0	11.0	11.0
38.0	49.2	55.0	10.3	10.3
40.0	52.2	58.0	10.8	10.8
43.0	53.3	62.0	12.0	12.0
45.0	55.3	64.0	11.6	11.6
48.0	59.7	68.4	11.6	11.6
50.0	60.8	69.3	11.6	11.6
53.0	63.8	72.3	12.3	12.3
55.0	66.5	75.4	13.3	13.3
58.0	69.5	78.4	13.3	13.3
60.0	71.5	80.4	13.3	13.3
63.0	74.5	83.4	13.3	13.3
65.0	76.5	85.4	13.0	13.0
68.0	82.7	91.5	13.7	13.7
70.0	83.0	92.0	13.0	13.0
75.0	90.2	99.0	14.0	14.0
80.0	95.2	104.0	15.0	15.0
85.0	100.2	109.0	14.8	14.8
90.0	105.2	114.0	14.8	14.8
95.0	111.6	120.3	15.8	15.8
100.0	114.5	123.3	15.8	15.8